

**VOLTAGE RANGE: 6.8 - 440 V**  
**POWER: 600Watts**

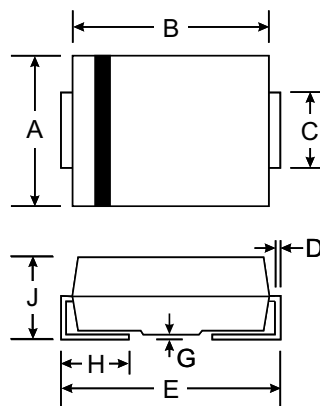
### Features

- Glass Passivated Die Construction
- Uni- and Bi-Directional Versions Available
- Excellent Clamping Capability
- Fast Response Time
- Plastic Material: UL Flammability Classification Rating 94V-0



### Mechanical Data

- Case: SMB/DO-214AA, Molded Plastic
- Terminals: Solder Plated, Solderable per MIL-STD-750, Method 2026
- Polarity: Cathode Band or Cathode Notch
- Marking: Type Number
- Weight: 0.093 grams (approx.)



SMB(DO-214AA)		
Dim	Min	Max
A	3.30	3.94
B	4.06	4.70
C	1.91	2.21
D	0.15	0.31
E	5.00	5.59
G	0.10	0.20
H	0.76	1.52
J	2.00	2.62

All Dimensions in mm



### Maximum Ratings @ T<sub>A</sub> = 25°C unless otherwise specified

Characteristic	Symbol	Value	Unit
Peak Pulse Power Dissipation (Non repetitive current pulse derated above T <sub>A</sub> = 25°C) (Note 1)	P <sub>PK</sub>	600	W
Peak Forward Surge Current, 8.3ms Single Half Sine Wave Superimposed on Rated Load (JEDEC Method) (Notes 1, 2, & 3)	I <sub>FSM</sub>	100	A
Instantaneous Forward Voltage @ I <sub>PP</sub> = 35A (Notes 1, 2, & 3)	V <sub>F</sub>	V <sub>BR</sub> <100V 3.5 V <sub>BR</sub> ≥100V 5.0	V V
Operating and Storage Temperature Range	T <sub>j</sub> , T <sub>STG</sub>	-55 to +150	°C

- Notes:
1. Valid provided that terminals are kept at ambient temperature.
  2. Measured with 8.3ms single half sine-wave. Duty cycle = 4 pulses per minute maximum.
  3. Unidirectional units only.

TYPE		Reverse Stand-Off Voltage	Breakdown Voltage Min. @I <sub>T</sub>	Breakdown Voltage Max. @ I <sub>T</sub>	Test Current	Maximum Clamping Voltage @I <sub>PP</sub>	Peak Pulse Current	Reverse Leakage @V <sub>RWM</sub>
(UNI)	(BI)	V <sub>RWM</sub> (V)	V <sub>BR MIN</sub> (V)	V <sub>BR MAX</sub> (V)	I <sub>T</sub> (mA)	V <sub>C</sub> (V)	I <sub>PP</sub> (A)	I <sub>R</sub> (uA)
P6SMB6.8	P6SMB6.8C	5.50	6.12	7.48	10.0	10.8	55.6	1000.0
P6SMB6.8A	P6SMB6.8CA	5.80	6.45	7.14	10.0	10.5	57.1	1000.0
P6SMB7.5	P6SMB7.5C	6.05	6.75	8.25	10.0	11.7	51.3	500.0
P6SMB7.5A	P6SMB7.5CA	6.40	7.13	7.88	10.0	11.3	53.1	500.0
P6SMB8.2	P6SMB8.2C	6.63	7.38	9.02	10.0	12.5	48.0	200.0
P6SMB8.2A	P6SMB8.2CA	7.02	7.79	8.61	10.0	12.1	49.6	200.0
P6SMB9.1	P6SMB9.1C	7.37	8.19	10.0	1.0	13.8	43.5	50.0
P6SMB9.1A	P6SMB9.1CA	7.78	8.65	9.55	1.0	13.4	44.8	50.0
P6SMB10	P6SMB10C	8.10	9.00	11.0	1.0	15.0	40.0	10.0
P6SMB10A	P6SMB10CA	8.55	9.50	10.5	1.0	14.5	41.4	10.0
P6SMB11	P6SMB11C	8.92	9.90	12.1	1.0	16.2	37.0	5.0
P6SMB11A	P6SMB11CA	9.40	10.5	11.6	1.0	15.6	38.5	5.0
P6SMB12	P6SMB12C	9.72	10.8	13.2	1.0	17.3	34.7	5.0
P6SMB12A	P6SMB12CA	10.2	11.4	12.6	1.0	16.7	35.9	5.0
P6SMB13	P6SMB13C	10.5	11.7	14.3	1.0	19.0	31.6	5.0
P6SMB13A	P6SMB13CA	11.1	12.4	13.7	1.0	18.2	33.0	5.0
P6SMB15	P6SMB15C	12.1	13.5	16.5	1.0	22.0	27.3	5.0
P6SMB15A	P6SMB15CA	12.8	14.3	15.8	1.0	21.2	28.3	5.0
P6SMB16	P6SMB16C	12.9	14.4	17.6	1.0	23.5	25.5	5.0
P6SMB16A	P6SMB16CA	13.6	15.2	16.8	1.0	22.5	26.7	5.0
P6SMB18	P6SMB18C	14.5	16.2	19.8	1.0	26.5	22.6	5.0
P6SMB18A	P6SMB18CA	15.3	17.1	18.9	1.0	25.2	23.8	5.0
P6SMB20	P6SMB20C	16.2	18.0	22.0	1.0	29.1	20.6	5.0
P6SMB20A	P6SMB20CA	17.1	19.0	21.0	1.0	27.7	21.7	5.0
P6SMB22	P6SMB22C	17.8	19.8	24.2	1.0	31.9	18.8	5.0
P6SMB22A	P6SMB22CA	18.8	20.9	23.1	1.0	30.6	19.6	5.0
P6SMB24	P6SMB24C	19.4	21.6	26.4	1.0	34.7	17.3	5.0
P6SMB24A	P6SMB24CA	20.5	22.8	25.2	1.0	33.2	18.1	5.0
P6SMB27	P6SMB27C	21.8	24.3	29.7	1.0	39.1	15.3	5.0
P6SMB27A	P6SMB27CA	23.1	25.7	28.4	1.0	37.5	16.0	5.0
P6SMB30	P6SMB30C	24.3	27.0	33.0	1.0	43.5	13.8	5.0
P6SMB30A	P6SMB30CA	25.6	28.5	31.5	1.0	41.4	14.5	5.0
P6SMB33	P6SMB33C	26.8	29.7	36.3	1.0	47.7	12.6	5.0
P6SMB33A	P6SMB33CA	28.2	31.4	34.7	1.0	45.7	13.1	5.0
P6SMB36	P6SMB36C	29.1	32.4	39.6	1.0	52.0	11.5	5.0
P6SMB36A	P6SMB36CA	30.8	34.2	37.8	1.0	49.9	12.0	5.0
P6SMB39	P6SMB39C	31.6	35.1	42.9	1.0	56.4	10.6	5.0
P6SMB39A	P6SMB39CA	33.3	37.1	41.0	1.0	53.9	11.1	5.0
P6SMB43	P6SMB43C	34.8	38.7	47.3	1.0	61.9	9.7	5.0
P6SMB43A	P6SMB43CA	36.8	40.9	45.2	1.0	59.3	10.1	5.0
P6SMB47	P6SMB47C	38.1	42.3	51.7	1.0	67.8	8.8	5.0
P6SMB47A	P6SMB47CA	40.2	44.7	49.4	1.0	64.8	9.3	5.0
P6SMB51	P6SMB51C	41.3	45.9	56.1	1.0	73.5	8.2	5.0

TYPE		Reverse Stand-Off Voltage	Breakdown Voltage Min. @I <sub>T</sub>	Breakdown Voltage Max. @ I <sub>T</sub>	Test Current	Maximum Clamping Voltage @I <sub>PP</sub>	Peak Pulse Current	Reverse Leakage @V <sub>RWM</sub>
(UNI)	(BI)	V <sub>RWM</sub> (V)	V <sub>BR MIN</sub> (V)	V <sub>BR MAX</sub> (V)	I <sub>T</sub> (mA)	V <sub>C</sub> (V)	I <sub>PP</sub> (A)	I <sub>R</sub> (uA)
P6SMB51A	P6SMB51CA	43.6	48.5	53.6	1.0	70.1	8.6	5.0
P6SMB56	P6SMB56C	45.4	50.4	61.6	1.0	80.5	7.5	5.0
P6SMB56A	P6SMB56CA	47.8	53.2	58.8	1.0	77.0	7.8	5.0
P6SMB62	P6SMB62C	50.2	55.8	68.2	1.0	89.0	6.7	5.0
P6SMB62A	P6SMB62CA	53.0	58.9	65.1	1.0	85.0	7.1	5.0
P6SMB68	P6SMB68C	55.1	61.2	74.8	1.0	98.0	6.1	5.0
P6SMB68A	P6SMB68CA	58.1	64.6	71.4	1.0	92.0	6.5	5.0
P6SMB75	P6SMB75C	60.7	67.5	82.5	1.0	108	5.6	5.0
P6SMB75A	P6SMB75CA	64.1	71.3	78.8	1.0	103	5.8	5.0
P6SMB82	P6SMB82C	66.4	73.8	90.2	1.0	118	5.1	5.0
P6SMB82A	P6SMB82CA	70.1	77.9	86.1	1.0	113	5.3	5.0
P6SMB91	P6SMB91C	73.7	81.9	100	1.0	131	4.6	5.0
P6SMB91A	P6SMB91CA	77.8	86.5	95.5	1.0	125	4.8	5.0
P6SMB100	P6SMB100C	81.0	90.0	110	1.0	144	4.2	5.0
P6SMB100A	P6SMB100CA	85.5	95.0	105	1.0	137	4.4	5.0
P6SMB110	P6SMB110C	89.2	99.0	121	1.0	158	3.8	5.0
P6SMB110A	P6SMB110CA	94.0	105	116	1.0	152	3.9	5.0
P6SMB120	P6SMB120C	97.2	108	132	1.0	173	3.5	5.0
P6SMB120A	P6SMB120CA	102	114	126	1.0	165	3.6	5.0
P6SMB130	P6SMB130C	105	117	143	1.0	187	3.2	5.0
P6SMB130A	P6SMB130CA	111	124	137	1.0	179	3.4	5.0
P6SMB150	P6SMB150C	121	135	165	1.0	215	2.8	5.0
P6SMB150A	P6SMB150CA	128	143	158	1.0	207	2.9	5.0
P6SMB160	P6SMB160C	130	144	176	1.0	230	2.6	5.0
P6SMB160A	P6SMB160CA	136	152	168	1.0	219	2.7	5.0
P6SMB170	P6SMB170C	138	153	187	1.0	244	2.5	5.0
P6SMB170A	P6SMB170CA	145	162	179	1.0	234	2.6	5.0
P6SMB180	P6SMB180C	146	162	198	1.0	258	2.3	5.0
P6SMB180A	P6SMB180CA	154	171	189	1.0	246	2.4	5.0
P6SMB200	P6SMB200C	162	180	220	1.0	287	2.1	5.0
P6SMB200A	P6SMB200CA	171	190	210	1.0	274	2.2	5.0
P6SMB220	P6SMB220C	175	198	242	1.0	344	1.7	5.0
P6SMB220A	P6SMB220CA	185	209	231	1.0	328	1.8	5.0
P6SMB250	P6SMB250C	202	225	275	1.0	360	1.7	5.0
P6SMB250A	P6SMB250CA	214	237	263	1.0	344	1.7	5.0
P6SMB300	P6SMB300C	243	270	330	1.0	430	1.4	5.0
P6SMB300A	P6SMB300CA	256	285	315	1.0	414	1.4	5.0
P6SMB350	P6SMB350C	284	315	385	1.0	504	1.2	5.0
P6SMB350A	P6SMB350CA	300	333	368	1.0	482	1.2	5.0
P6SMB400	P6SMB400C	324	360	440	1.0	574	1.0	5.0
P6SMB400A	P6SMB400CA	342	380	420	1.0	548	1.1	5.0
P6SMB440	P6SMB440C	356	396	484	1.0	631	0.95	5.0
P6SMB440A	P6SMB440CA	376	418	462	1.0	602	1.0	5.0

## Ratings and Characteristic Curves $T_A=25^\circ\text{C}$ unless otherwise noted

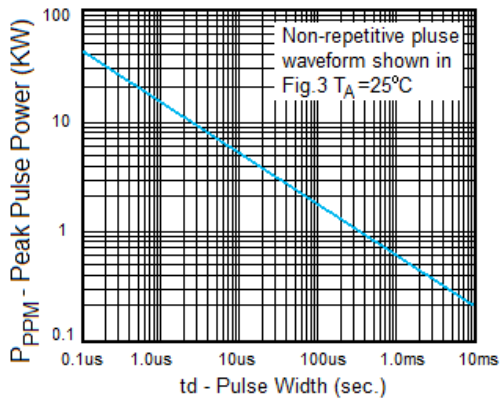


Fig. 1 Peak Pulse Power Rating

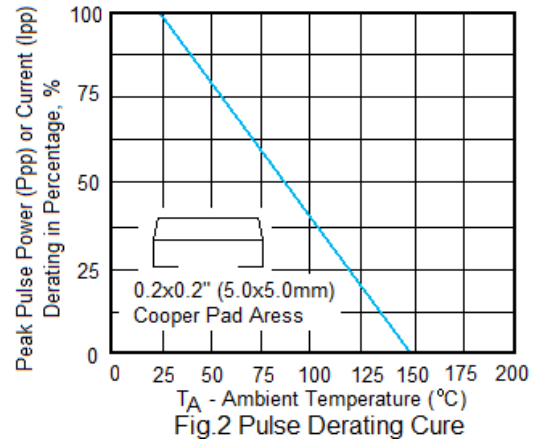


Fig. 2 Pulse Derating Curve

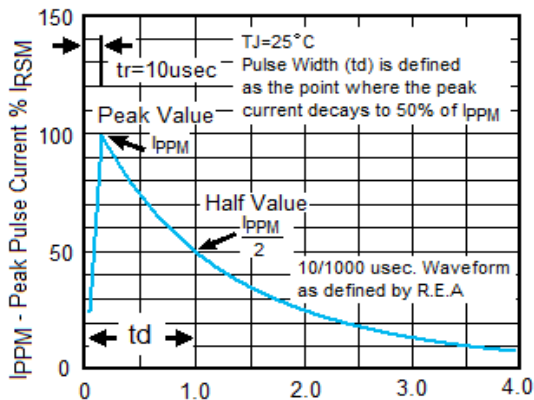


Fig. 3 Pulse Waveform

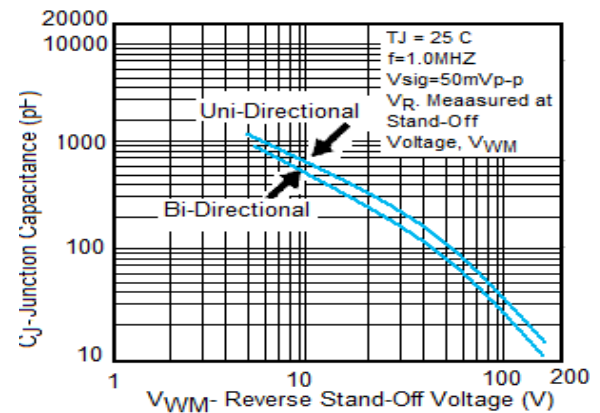


Fig. 4- Typical Junction Capacitance